



# Full Premix Condensing Combi Boiler with Gas Adaptive System

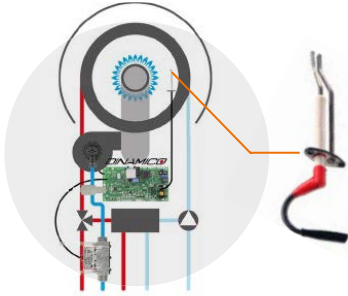


February 2023

**Ewa 20/24**  
**Ewa 24/26**

		<b>A</b> Energy Class
20 kW 24 kW	24 kW 26 kW	

# Ewa - Full Premix



## Up to 97,5% ( $\eta_1$ ) High Efficiency with Electronic Gas Adaptive System

Ewa's Full Premix System with Electronic Gas Adaptive Control, instantly senses combustion quality and keeps provides the ideal air-gas mixture. It uses all the energy contained in the gas and provides savings.



## The Lowest NOx Class According to the ErP Directives

Ewa lowers environmentally hazardous NOx emissions even below the values determined by the best class level of 6 for NOx as an appendix of the Energy-related Products Directive (56 mg/kWh), to 20 mg/kWh in order to reduce air pollution.



## High Savings with 1/7 Modulation

With up to 97,5% ( $\eta_1$ ) efficiency and a wide modulation range of 1/7 (14%-100%) Ewa boilers automatically adjust their capacity according to your needs, consuming less gas and less electric.



## Shorter waiting time for hot water with Pre-Heat

With optional pre-heating feature, the domestic water in the plate heat exchanger is kept hot at all times and the hot water waiting time is minimized.



## XL Comfort of Hot Water in Double Tap ( $\eta_4$ : 88%)

Thanks to its specially designed heat exchanger, Ewa combi boilers allow you to use double taps simultaneously with high hot water capacity up to 11/12 liters per minute.



## Low Heat Loss and Quiet Operation (52 dB)

The insulation, that prevents heat loss from the boiler body, enables the end-user to experience maximum efficiency as well as decreasing the noise level.



## Corrosion and Abrasion Resistant Brass Hydroblock

With its brass hydro-block parts resistant to thermal stress, abrasion and corrosion, it has a long service life and offers years of trouble-free use.



## Long Life Stainless Steel Heat Exchangers

The main stainless steel heat exchanger is long-lasting because of its wide channels and coil form. Also, the secondary DHW heat exchanger is also made of stainless steel.



## Compact Size

Ewa ErP series combi boiler has compact sizes and can be easily installed to even confined spaces and can be used in all living spaces.

# Condensing Boiler

## User Friendly With Smart Display

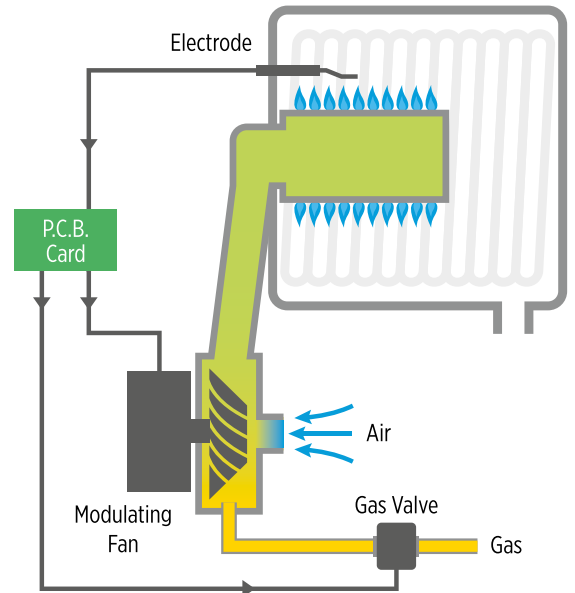
Thanks to the illuminated digital 2" LCD screen and 6 push button control panel, it provides easy usage with modern and stylish appearance.



## What is Full Premix Gas Adaptive System?

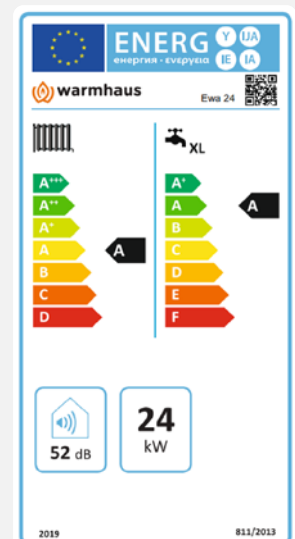
The electronic card, which senses the gas quality instantly with the signal received from the electrode, maintains the combustion quality continuously thanks to Full Premix System which controls the modulated fan and gas valve synchronously.

Full Premix System ensures that the gas used is burned with the most ideal mixture and maximum utilization of all its energy.

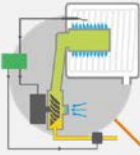


## What is the Difference of ErP Boiler?

- Circulation pumps of ErP condensing boilers combined with frequency converter can adjust the speed of the pump in line with your heating system. It reduces electric energy consumption up to %50.
- ErP condensing boilers are in accordance with EU directives and they have lower energy consumption.
- ErP compatible products are labeled according to their energy classes. You can understand how economically more efficient your boiler is from the label on your product.



**Up to 98% High Efficiency with Electronic Gas Adaptive System**



**Long Lasting Stainless Steel Heat Exchanger**



Ewa 20/24  
Ewa 24/26

Ewa 24/26



**High Savings with 1/7 (14%-100%) Modulation**



**Low Heat Loss and Quiet Operation (52 dB)**



**Corrosion and Abrasion Resistant Brass Hydroblock**



**Continuously Ready Hot Water with Pre-Heat**



**Turbine Sensor System Measures Domestic Water Flow**



**Comfort of Hot Water in Double Tap 11 l/min (Ewa 20) and 12 l/min (Ewa 24)**

**Maximum 43 W Electricity Consumption with Modulated Pump**

TECHNICAL DATA	UNIT	Ewa 20/24				Ewa 24/26			
		NG / G20	NG / G25	LPG / G30	LPG / G31	NG / G20	NG / G20	LPG / G30	LPG / G31
Gas Circuit / Gas Type		20	25	30	37	20	25	30	37
Gas Supply Pressure		20	25	30	37	20	25	30	37
Gas Consumption at Minimum / Maximum	m <sup>3</sup> /h	0.36 / 2.12	0.42 / 2.58	0.13 / 0.71	0.81 / 0.14	0.37 / 2.38	0.43 / 2.85	0.11 / 0.73	0.11 / 0.92
<b>Seasonal Space Heating Energy Efficiency Class</b>		A				A			
Seasonal Space Heating Energy Efficiency (η <sub>s</sub> )	%	91.2	91.2	90.5	90.5	92	92	92	92
Useful efficiency at rated heat output and high temperature regime(2) (η <sub>+</sub> )	%	87.6	87.6	88.3	88.3	87.6	87.6	87.6	87.6
Useful efficiency at 30% of rated heat output and low temperature regime(1) (η <sub>l</sub> )	%	96.4	96.4	95.5	95.5	97.5	97.5	97.5	97.5
<b>Radiator Circuit / Temperature Selection Range High / Low</b>	°C	25 ÷ 80 / 25 ÷ 47				25 ÷ 80 / 25 ÷ 47			
Minimum / Maximum Heat Output Pn (50/30 °C)	kW	3.7 / 20.6	3.6 / 21.1	3.5 / 20.4	3.6 / 20.6	3.6 / 25	3.6 / 25	3.6 / 24.7	2.9 / 25
Minimum / Maximum Heat Output (Ph) (80/60 °C)	kW	3.4 / 19.4	3.3 / 19.6	3.4 / 19.5	3.4 / 19.5	3.0 / 23.7	3.0 / 23.7	3.2 / 23.6	2.5 / 23.7
Operating Pressure (Maximum/Minimum)	bar	3 / 0,5				3 / 0,5			
Expansion Tank Volume	L	7				7			
Maximum Pump Delivery Head (Q = 0 m <sup>3</sup> /h)(at constant flow rate)	mH <sub>2</sub> O	6,2 (700 l/h)				6,2 (700 l/h)			
Max. Pump Flow Rate	m <sup>3</sup> /h	2,3				2,3			
<b>Domestic Hot Water Circuit / Temperature Adjustment Range</b>	°C	35 - 60				35 - 60			
Water Heating Energy Efficiency Class / Declared Load Profile		A / XL				A / L		A / XL	
Water Heating Energy Efficiency	%	85				81		84	
Gas Consumption at Maximum	m <sup>3</sup> /h	2,47	2,83	0,73	0,94	2,55	3,051	0,78	0,98
Modulation Rate		15/100	15/100	15/100	15/100	14/100	14/100	14/100	14/100
Maximum / Minimum DHW Heat Input	kW	23.7 / 3.5	23.7 / 3.5	23.7 / 3.5	23.2 / 3.5	25.8 / 3.5			
Max. Domestic Hot Water flow rate Minimum / Maksimum (ΔT: 30 °C)	L/min	1,5 / 11				1,5 / 12			
DHW Pressure (Minimum / Maksimum)	bar	0,5 / 10				0,5 / 10			
<b>Electricity Circuit / Protection Index</b>	IP	IPX5D				IPX5D			
Electricity (Supply) Consumption (Min./Max.)	Watt	(230 V +%10; -%15) 57 / 86				(230 V +%10; -%15) 55 / 95			
<b>Exhaust Gas Circuit</b>		G20	G25	G30	G31	G20	G25	G30	G31
Maximum Flue Length (Ø60/100 mm) [Horizontal* / (Vertical*)]	m	10 / 11				10 / 11			
(80/60 °C) Exhaust gas temperature (Min. / Max.)	°C	55 / 78	55 / 78	54 / 78	54 / 78	69 / 71	65 / 70	57 / 70	60 / 70
(50/30 °C) Exhaust gas temperature (Min. / Max.)	°C	37 / 57	37 / 57	41 / 55	41 / 55	49 / 51	48 / 49	43 / 57	47 / 51
Weighted Value of NOx (GCV) (NOx Class: 6)	mg/kWh	33	33	38	38	20	19	42	31
<b>General / Dimensions (H x W X D)</b>	mm	725 x 420 x 288				725 x 420 x 288			
Sound Level	dB (A)	52				52			
Net Weight / Packed Device Weight	kg	30 / 31,8				32,6 / 33,8			
Type		B23, B23P, B33, B33P, B53, B53P, C13, C33, C43, C53, C63, C83, C93, C(10)3							

(1) Low temperature means for condensing boilers 30 °C, for low temperature boilers 37 °C and for other heaters 50 °C return temperature (at heater inlet).

(2) High temperature regime means 60 °C return temperature at heater inlet and 80 °C feed temperature at heater outlet.

\* At the maximum flue distance, the flue length should be reduced by 1 meter for every 90° bend and 0.5 meter for every 45° bend.



## About Warmhaus

Warmhaus is an affiliate of Beyçelik Holding which produces boilers, high capacity wall hung condensing boilers, water heaters and steel panel radiators with experience in HVAC industry since 1996.

With modernised production lines and high quality products; Warmhaus warms houses and buildings in more than +50 countries.

## Global Heating Brand

Products developed by Warmhaus R&D center are shipped all over the world.



- Albania
- Algeria
- Argentina
- Azerbaijan
- Belgium
- Bosnia
- Bulgaria
- Chile
- China
- Egypt
- Estonia
- France
- Georgia
- Germany
- Greece
- Hungary
- India
- Iraq
- Ireland
- Italy
- Jordan
- Kazakhstan
- Kosovo
- Kyrgyzstan
- Latvia
- Lithuania
- Macedonia
- Moldova
- Mongolia
- Netherlands
- Northern Cyprus
- Poland
- Portugal
- Romania
- Russia
- Serbia
- Spain
- Tunisia
- Turkmenistan
- Ukraine
- United Kingdom
- Uzbekistan

## Easy Control of Your Home Comfort!

### Remote Controls with Weekly Programming and Room Thermostat Features

You can form your own weekly programs, adjust temperatures precisely, and set up an automatic heating system with our modulating room thermostats and outdoor temperature sensor.

### Outside Sensor

You can set the heating flow temperature automatically according to the outside temperature.



**WT-07**

Cabled digital room thermostat with modulation and 4 buttons  
Product Code: 15311800000027



**WT-01**

Cabled digital room thermostat with modulation and 10 buttons  
Product Code: 15311800000021



**WT-RF02**

Wireless digital room thermostat with modulation and 10 buttons  
Product Code: 15311800000022



**WDHS-01**

Cabled Outdoor Air Temperature Sensor  
Product Code: 15311660600001

# SMART HEATING AT YOUR FINGERTIPS!



## RecoWa Wi-Fi Smart Room Thermostat Set

RecoWa is a WiFi Smart Room Thermostat Set with internet access that allows you to set the desired temperature from anywhere, anytime with the mobile application.

Product Code: 15311800000001

Used with the RecoWa app via smartphone or tablet.



## WARMHAUS APPLICATIONS OUR DIGITAL WORLD



Soon!  
All Over the  
World!

### Warmhaus Partner

Install and Earn Points Now

Warmhaus installers receive loyalty points after each operating boiler and earn their reward with their loyalty points!

### Warmhaus Consumer

Available Soon

Customers can reach Warmhaus through their mobile phone application anytime.



## Warmhaus Technical Training

We support our business partners with comprehensive trainings and technical documentation. Please visit our website.



## Warmhaus Production Facility

Our products are certified and tested by the international institutions to meet the highest industry standards. Please ask for certificate for your region.

info@warmhaus.com.tr | warmhaus.com



**Management Office**  
**Boiler Factory**  
**Radiator Factory**  
**United Kingdom**

Nidakule Ataşehir Kuzey Barbaros Mahallesi, Begonya Sokak No: 3 K: 19 34746 Ataşehir, İstanbul, Turkey **T**+90 216 300 16 50  
Işıktepe OSB Mah. Park Cad. No: 1016140, Nilüfer, Bursa, Turkey  
Minareliçavuş OSB Mah. Selvi Cad. No: 316140, Nilüfer, Bursa, Turkey **T**+90 224 295 94 00 **F**+90 224 411 23 77  
Unit 7, St Martins Business Centre St Martins Way, Bedford MK42 0LF, England **T**+44 207164 6233 **F**+44 207 000 1336

All descriptions and illustrations provided in this document have been carefully prepared but we reserve the right to make changes and improvements in our products which may affect the accuracy of the information contained in this leaflet. All goods are sold subject to our standard Conditions of Sale which are available on request.

anicerative.com

WH-207-BRO-20230201-INT